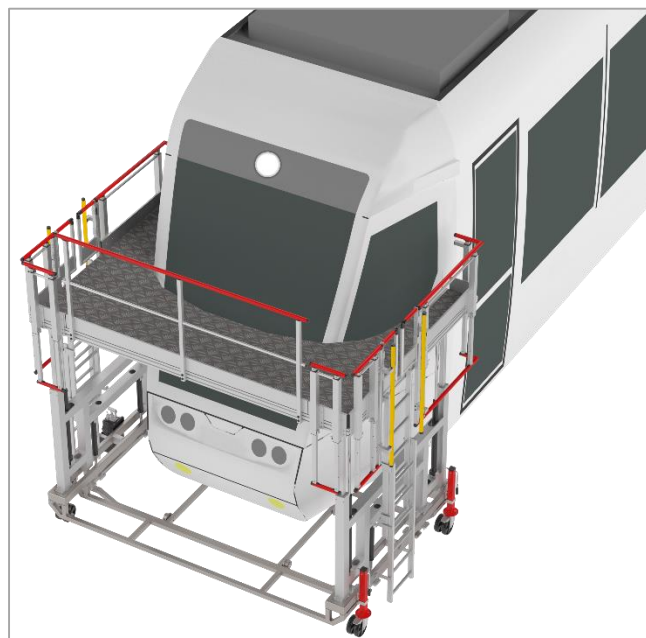


Mobile platform for train nose maintenance operations



3D view of platform
- lateral guardrails in lower position



In height adjustable mobile platform for train model MI09 nose maintenance:

- Galvanised steel frame
- Raw extruded aluminum structure
- Capacity of load: 2 peoples + equipment – 250kg



Mobile platform for train nose maintenance operations



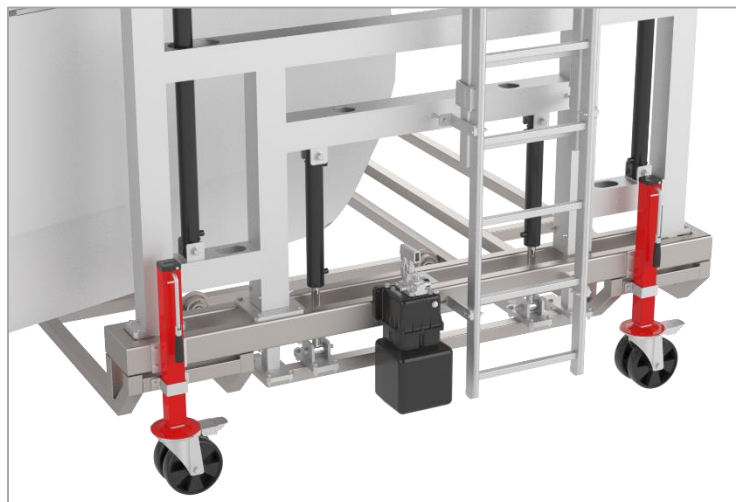
3D view of platform
- guardrail in high position



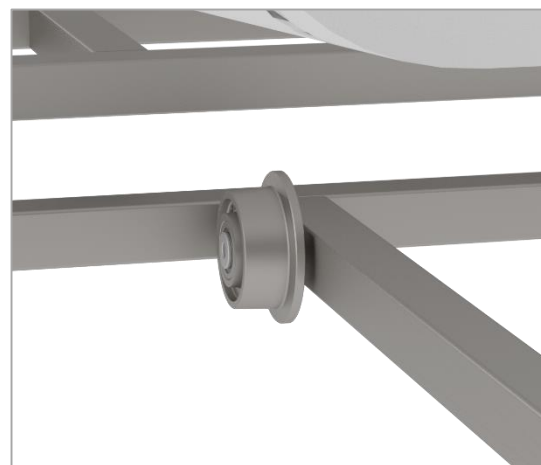
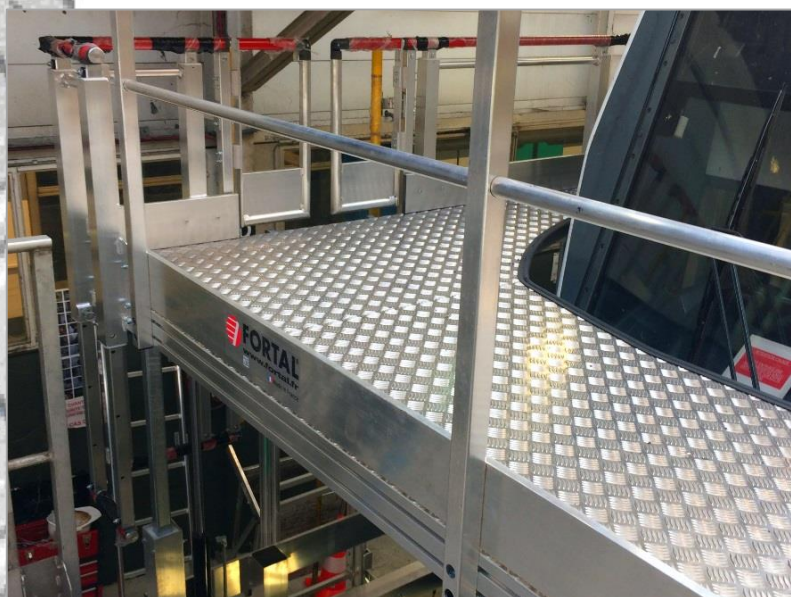
In height adjustable platform from 2.20 to 3.00 meters with hydraulic hand pump system. Access on platform by sliding ladder fixed on hook bar (positioning on right or left side).



Mobile platform for train nose maintenance operations



Twin wheels Ø 200 mm with polyurethane tyres mounted on jack to adjust wheels on ground (+ 300 mm)



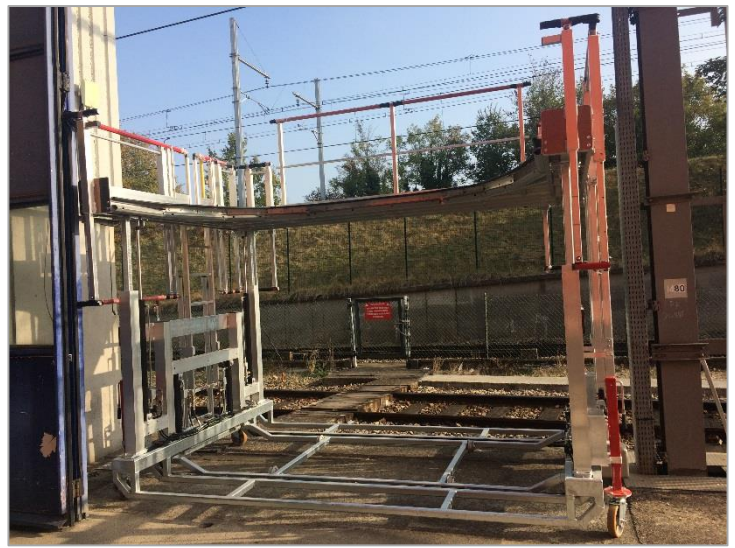
Lorry wheels on rails – retractable by hydraulic system

Platform 3.88 x 1.00 meters with cutting in shape on train nose:

- rubber protection on train side
- offset (size 1.5 x 0.435 meter) on each side.
- checkered aluminum coating thickness 4.4 mm.
- « saloon » safety gates
- Main guardrail height 1.10 meters
- Lateral sliding guardrail – handling possible from the floor

 **FORTAL**[®]
www.fortal.fr
DIVISION TRANSPORT  Made in France

Mobile platform for train nose maintenance operations



Platform in storage area between 2 maintenance operations



Before FORTAL intervention



After FORTAL intervention