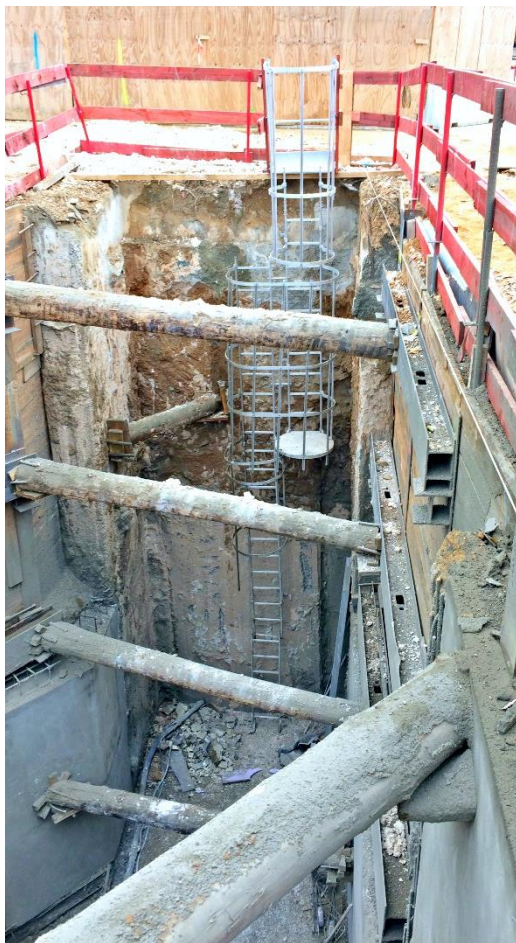
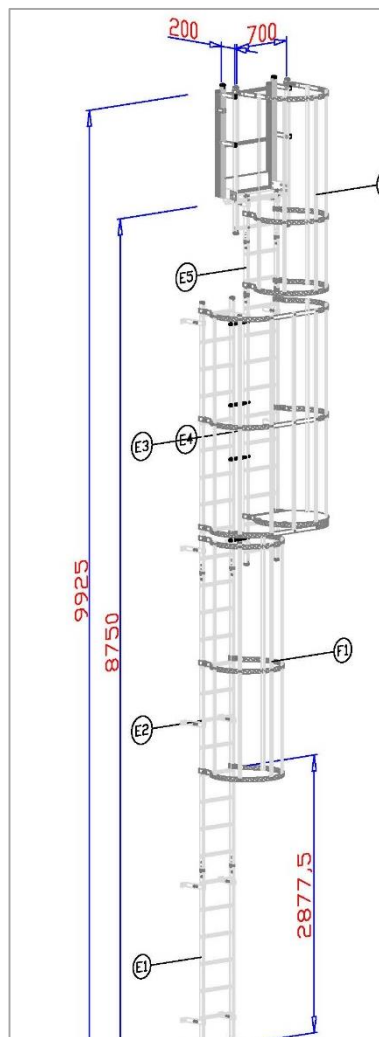


# Pre-mounted safety cages ladders for construction site use



Safety cages ladder with flight change-over on the right side – bearing step with gate.

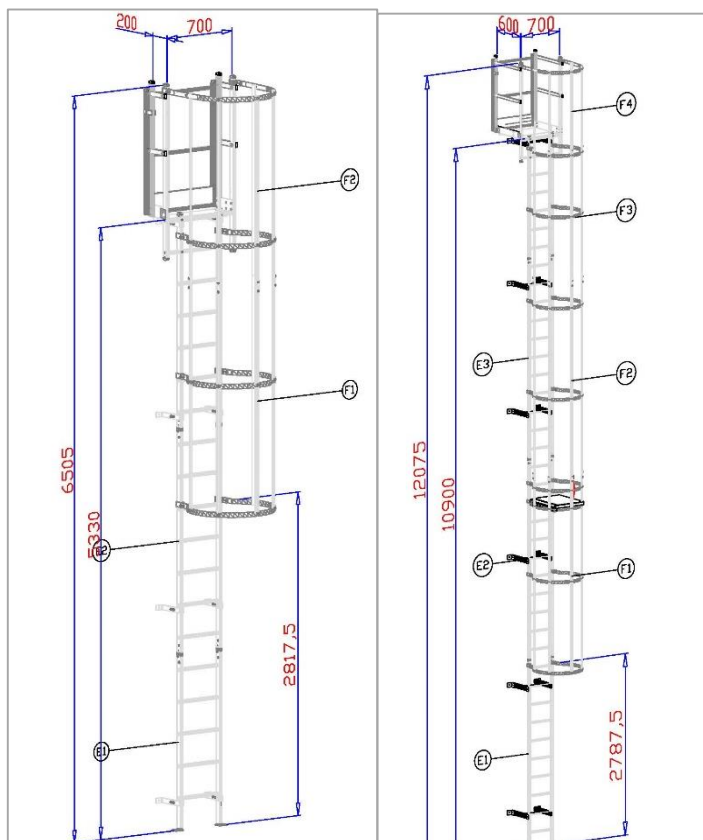


Safety cages ladders for the construction phase on Roland Garros site : installation of armored foundations for player access tunnels to tennis court Philippe Chatrier. Set of 4 ladders, heights to be served : 3 220 – 5 330 – 8 750 and 10 850 mm  
Square rungs  
25 x 25 mm anti-skid  
distance between rungs : 280 mm.

Complies with standard EN 85 016



# Pre-mounted safety cages ladders for construction site use



Safety cage ladder equipped with retractable bearing.

Version not in accordance with NF 85 016



Each ladder is equipped with a gate on the upper side.

 **FORTAL**<sup>®</sup>  
www.fortal.fr  
DIVISION INDUSTRIE  Made in France