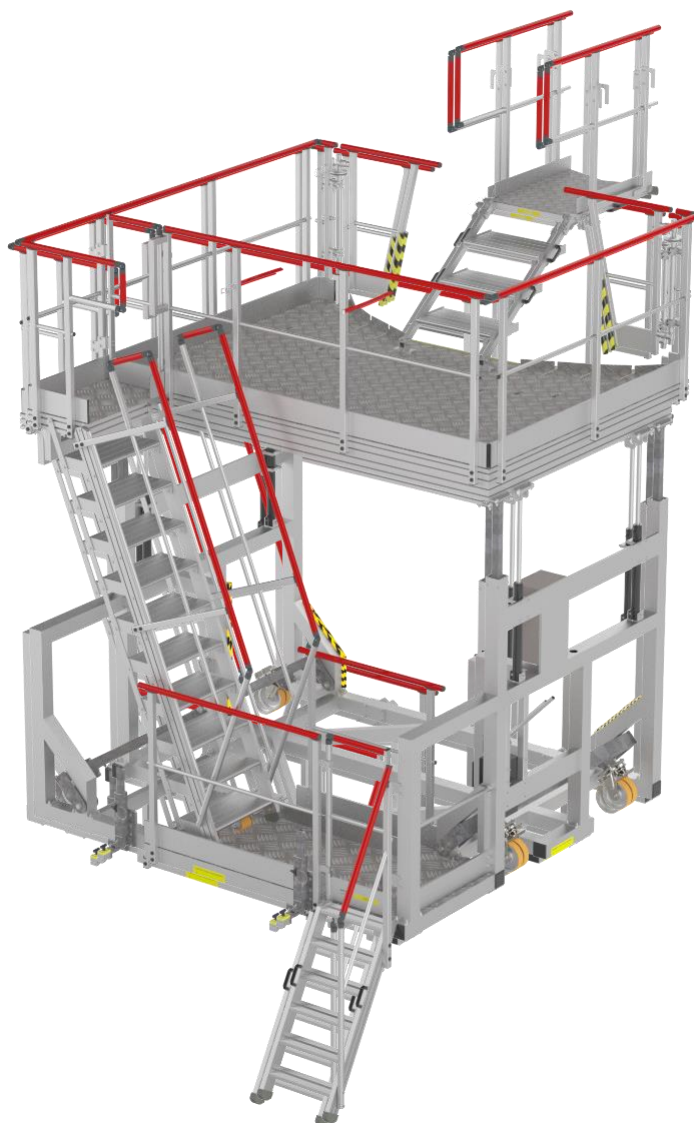


Platform for access on train nose upper part



Platform turnkey delivery – galvanized steel frame – aluminum structure – adjustable in height – for maintenance on train nose upper part (wipers, glasses, 3rd headlight)

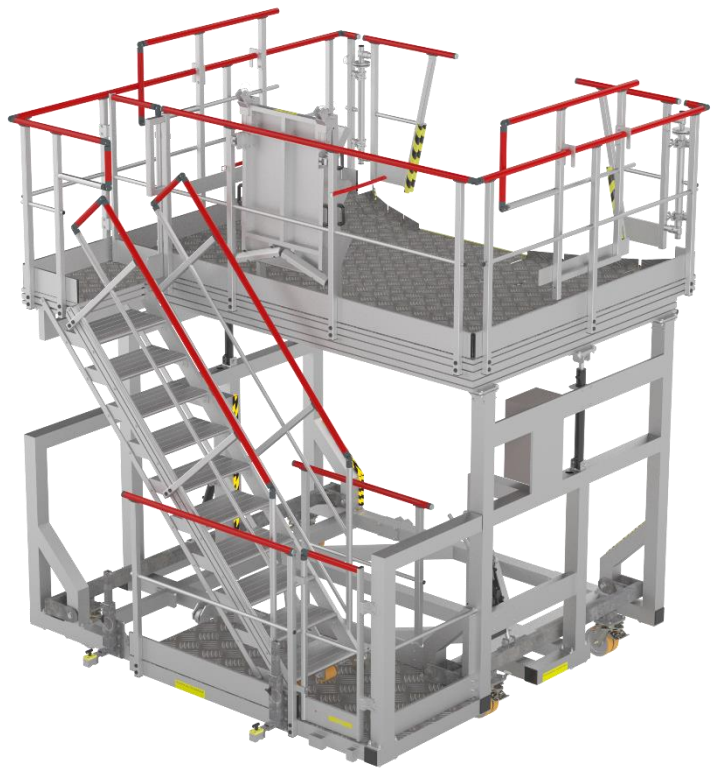
Capacity of load:

- 3 persons + tools (500 kg)
- 1 person per drawers (150 kg)
- 1 person on the 3rd headlight access (150 kg)

Complies with standard: E 85 013 to 85 015 and E 14 122-1-2-3 and 4.

 **FORTAL**[®]
www.fortal.fr
DIVISION TRANSPORT  Made in France

Platform for access on train nose upper part



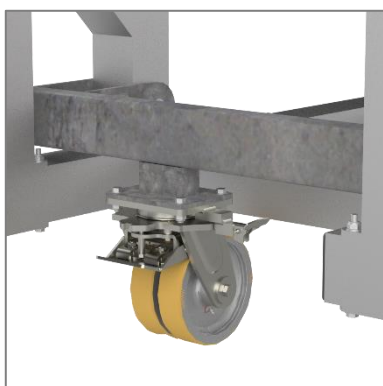
Adjustable in height platform from 2 315 to 2815 mm with hydraulic hand pump

Overall sizes:

- Length: 3 516 mm
- Width: 3 070 mm
- Height: 4 717 mm

Swivel castors with brake and directional locking with large polyurethane tyres Ø 200 mm.

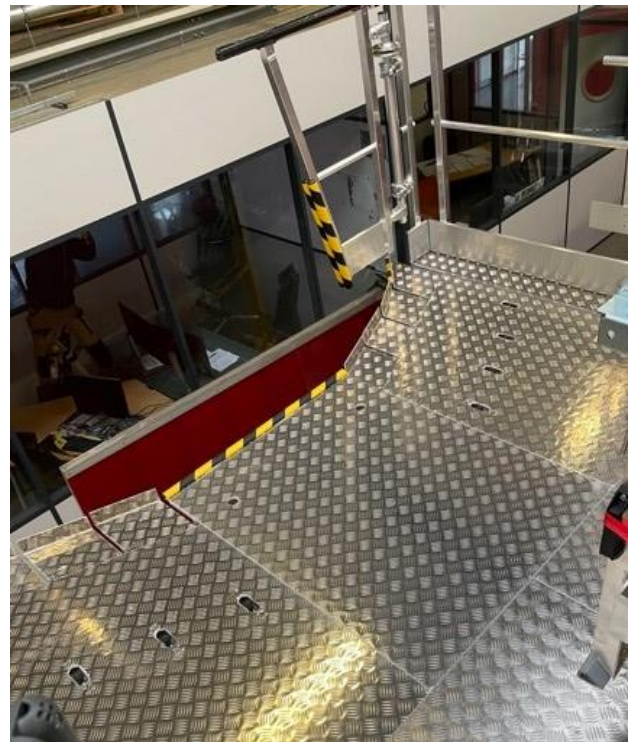
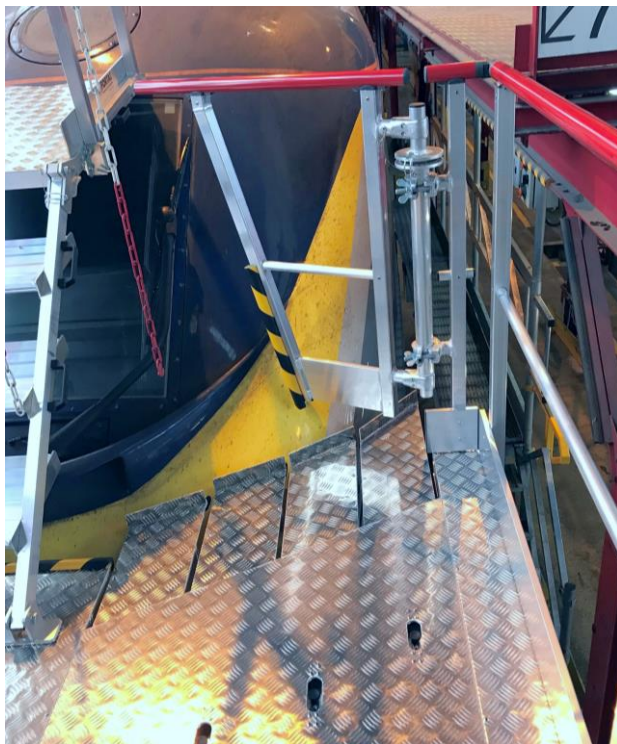
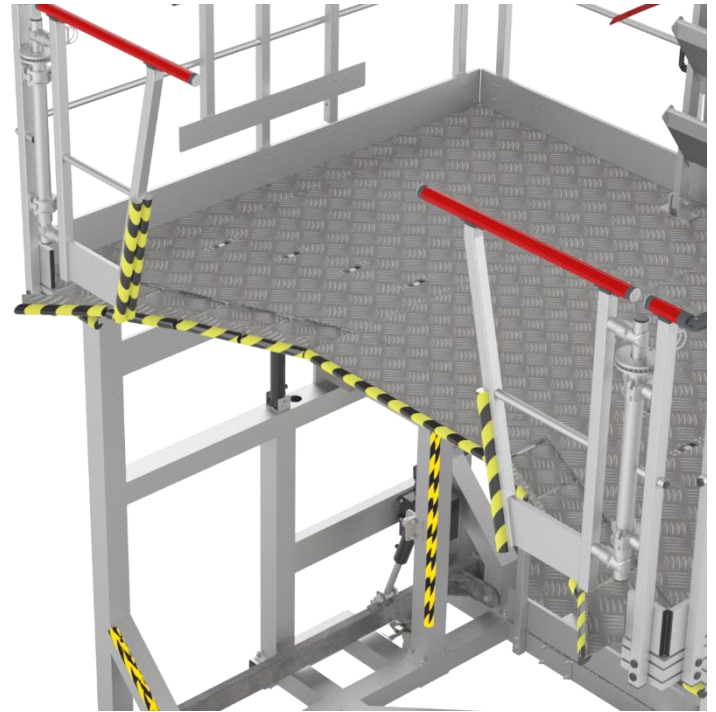
Flanged wheels for movement on rails



Once the structure is installed, the double acting hydraulic hand pump allows to rotate the steel frame where the wheels are mounted



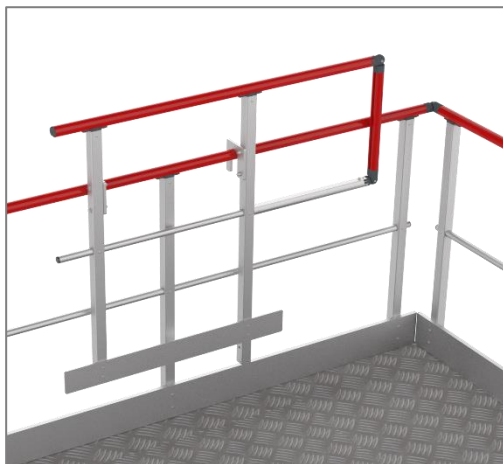
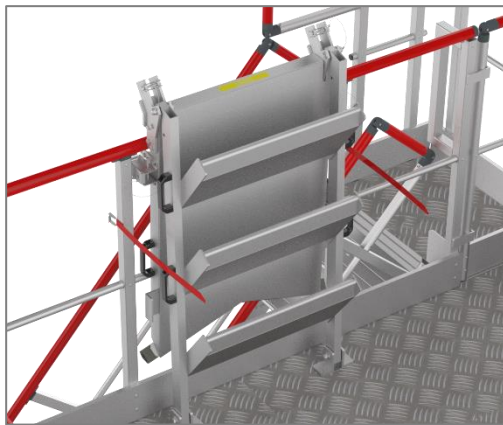
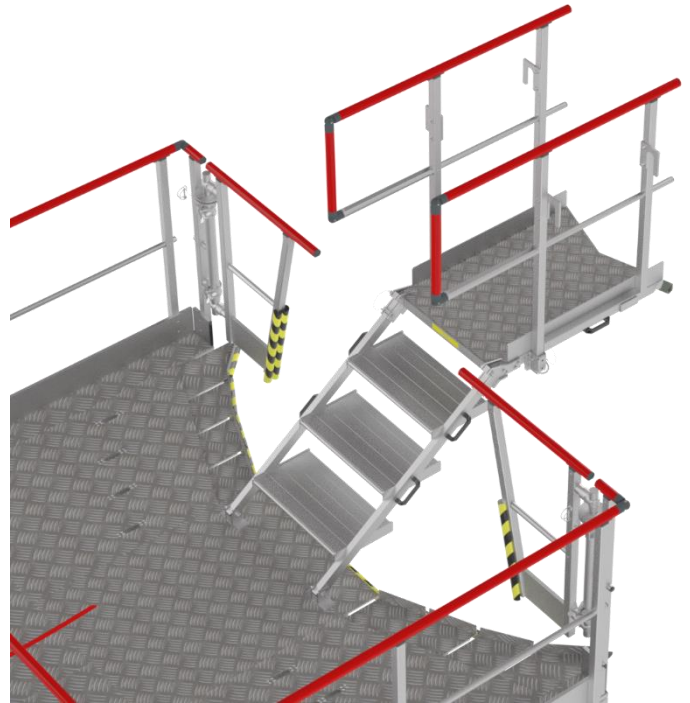
Platform for access on train nose upper part



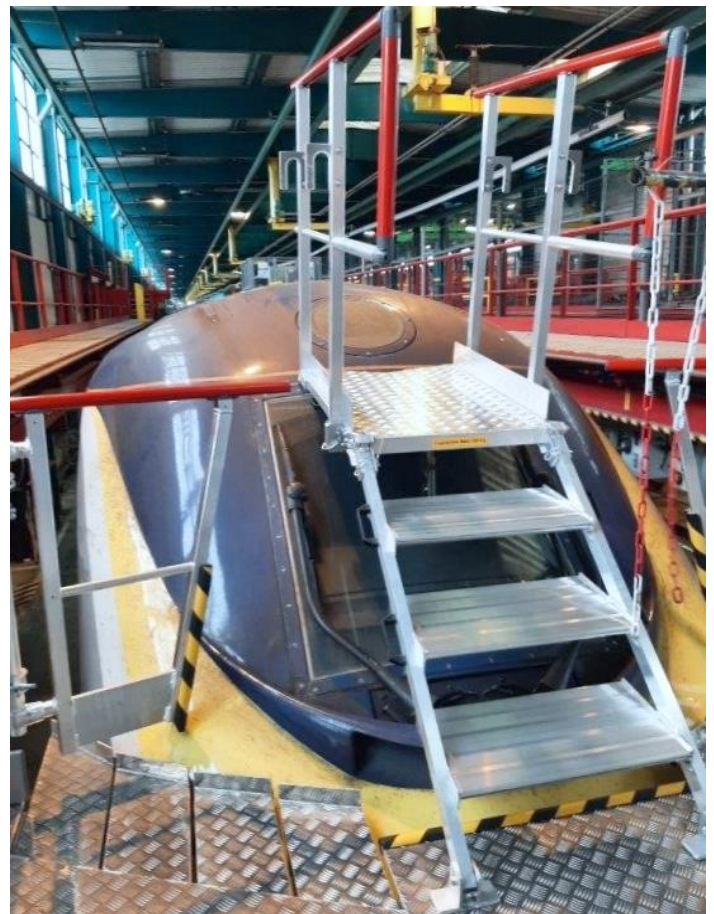
- Checked flat sheet aluminum platform 2 218 x 2 980 mm with cutting in shape of train nose
- Drawers designed to conform perfectly the shape of the train – course 280 mm
- Swivel guardrail on each platform side
- Peripheral fixed guardrail composed of red lacquered handrail (RAL 3000), intermediary rail and baseboard

 **FORTAL**[®]
www.fortal.fr
DIVISION TRANSPORT  Made in France

Platform for access on train nose upper part



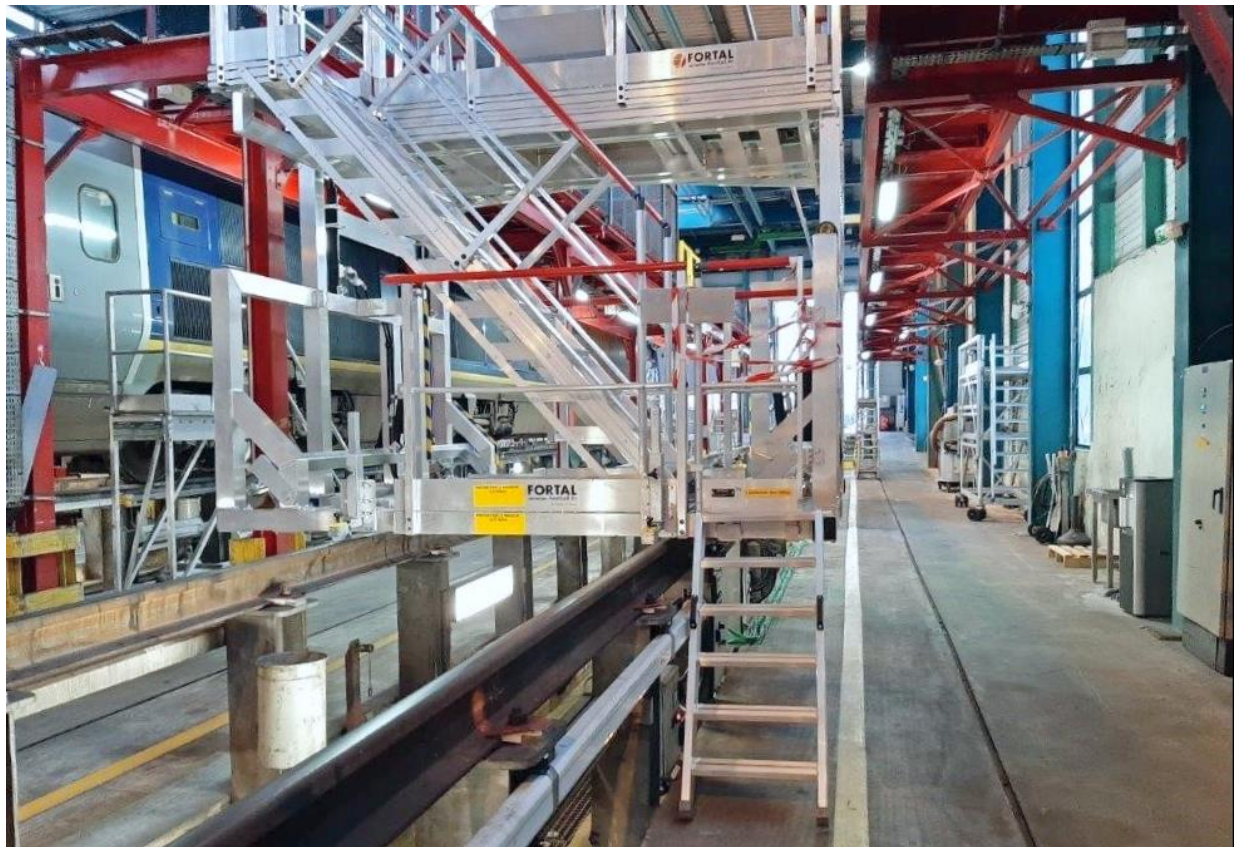
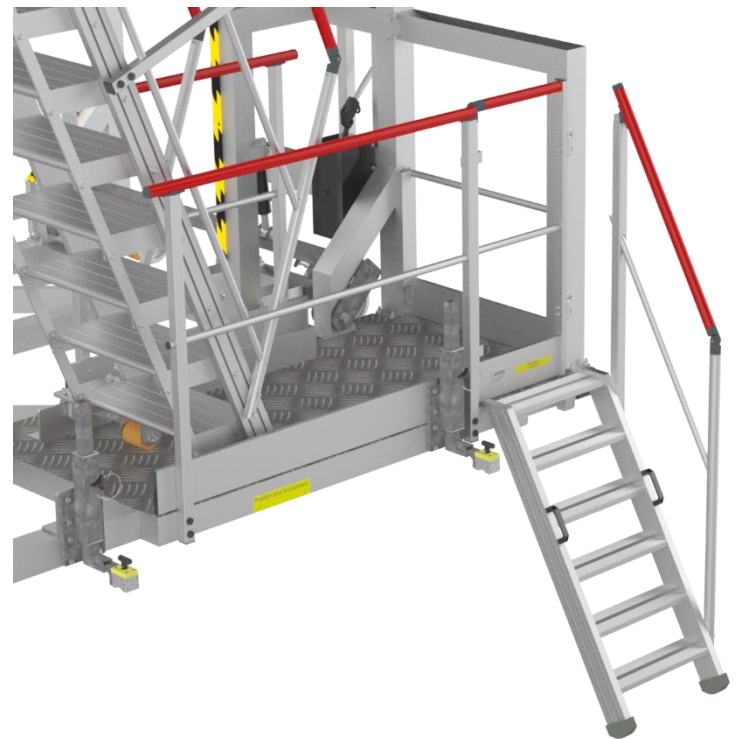
When the access is not use, it's folded and fixed to the 1st level guardrail, always within reach if necessary



Access to the 3rd headlight by removable and liftable staircase



Platform for access on train nose upper part

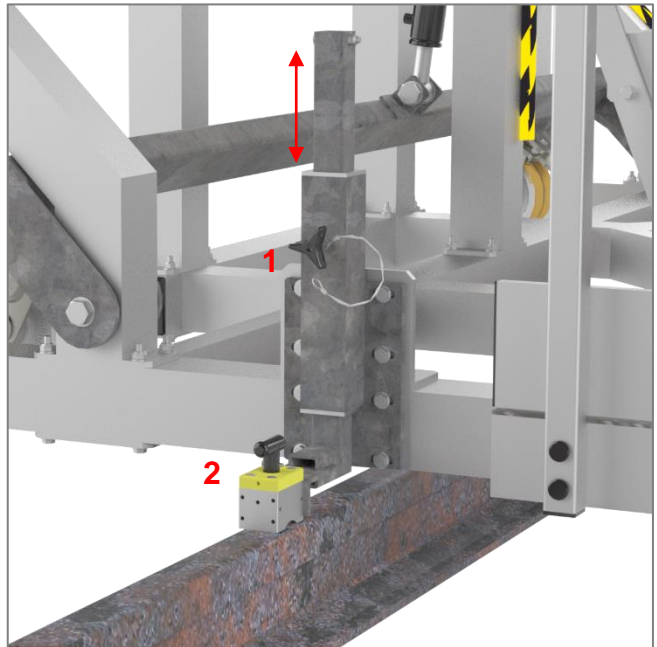


Access on platform thanks to:

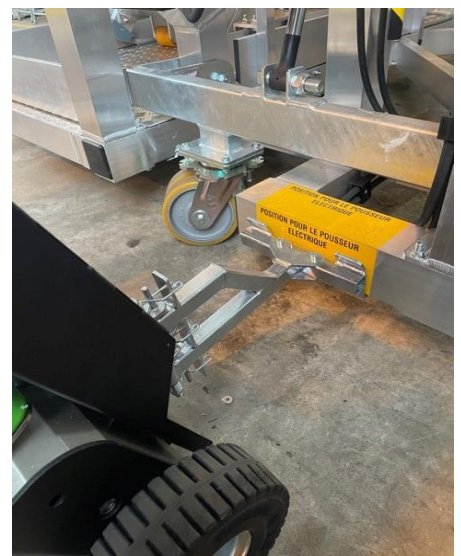
- A variable angle staircase with safety gate on platform – guardrail composed with red lacquered handrail (RAL 3000), intermediary rail and baseboard on the staircase right and left side
- A removable staircase for access on the 1st platform level from the pit – 2 handles – guardrails – useful width 470 mm

 **FORTAL**[®]
www.fortal.fr
DIVISION TRANSPORT  Made in France

Platform for access on train nose upper part



Platform equipped with a bracking system: 2 vertically adjustable brakes (1) and a magnetic locking by turning $\frac{1}{4}$ the handle (2).



Option: electric pusher with 3 gripping points, visualized by yellow sticker (1 on the front, 2 on lateral) for easy movement at 5 km/h maximum.