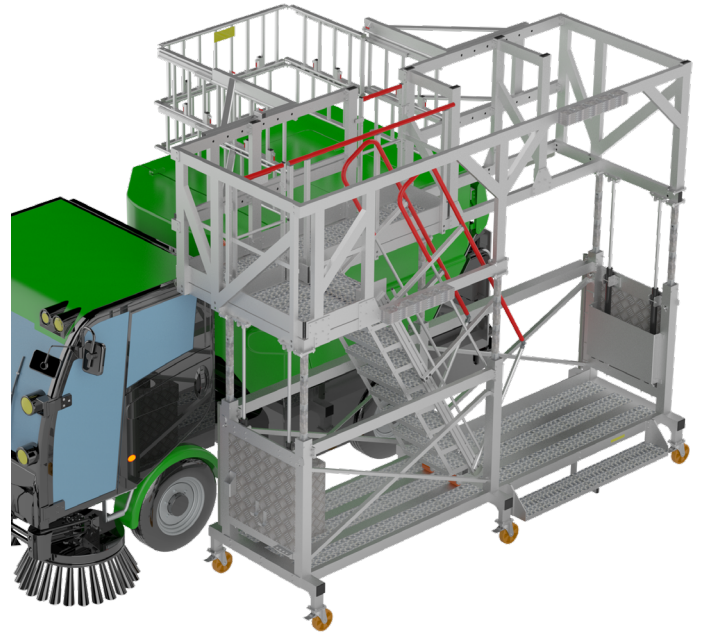


Mobile platform for sweepers roof access



3D front view of the access platform



Height-adjustable mobile platform for maintenance operations on sweeper roof. Main structure in aluminum profiles series 6000.

Height adjustable

- Height adjustable from 1900 to 2700 mm by hydraulic jacks driven by an electric pump
- Hydraulic system with an auxiliary manual pump
- A manual pin-type mechanical lock keeps the platform in an elevated position for a long time

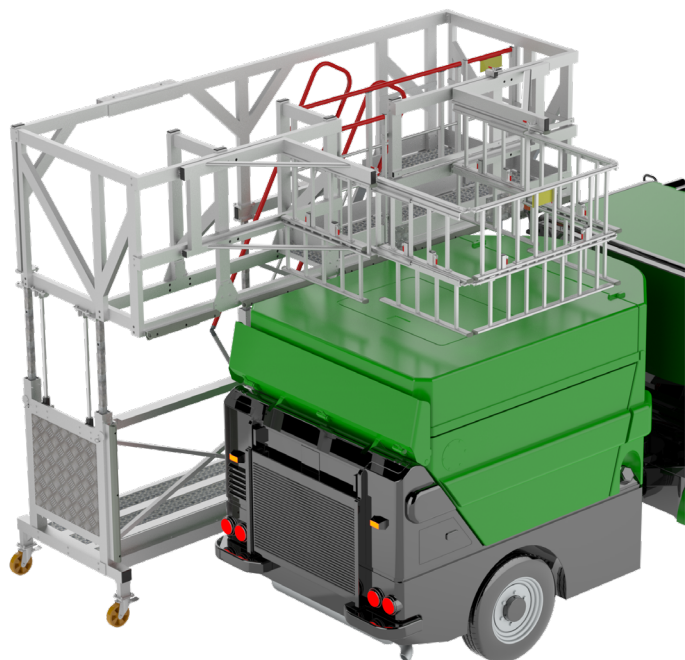
Frame

- Size: 4250 x 975 mm
- Equipped with 6 swivel wheels with brakes $\varnothing 200$ mm and polyurethane tyres
- Covering with grating aluminum platform
- Aluminum grating access step
- Rubber protection on vehicle side

Capacity of load: 300 kg

Assembly in accordance with ISO 14122

Mobile platform for sweepers roof access



3D rear view of the access platform



Platform

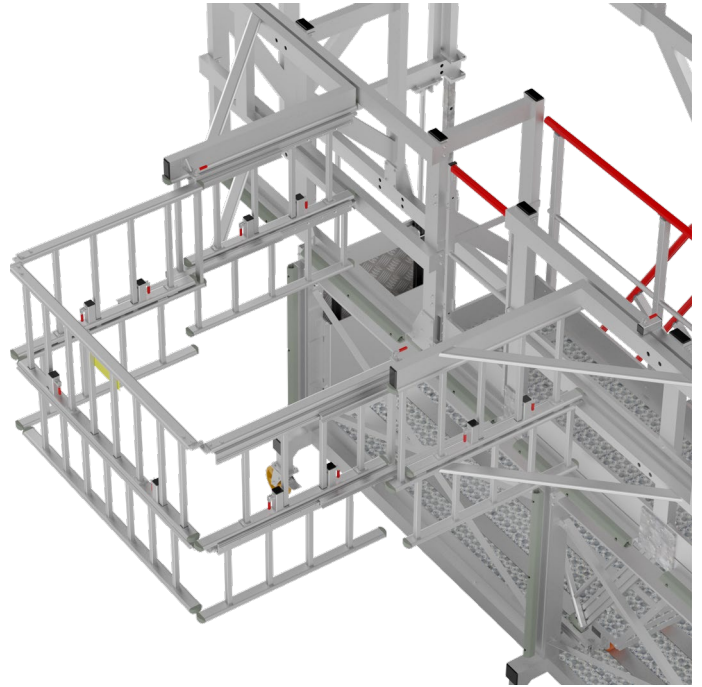
- Size: 2550 x 515 mm – extension at the staircase exit 645 x 875 mm
- Grating aluminum coating
- Guardrail composed with red lacquered handrail (RAL 3000), intermediary rail and baseboard

Access staircase

- Access to the high platform by a variable-angle staircase
- Useful width: 580 mm
- Aluminum grating steps
- Automatic return safety gate at the arrival of the staircase
- Ramp on left and right



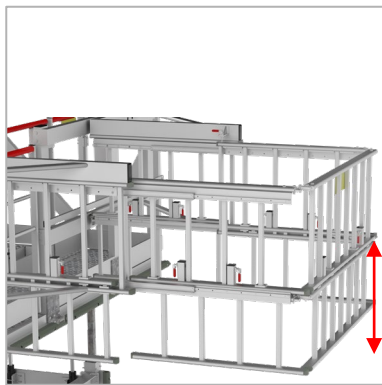
Mobile platform for sweepers roof access



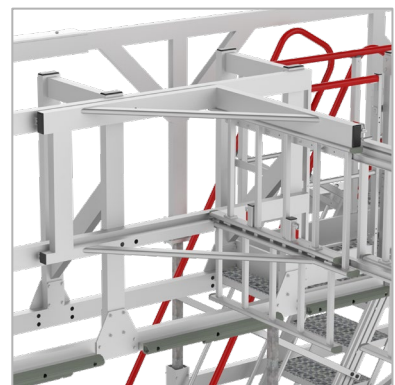
3D view of the folded guardrail

Folded guardrail

- Secure access thanks to a safety gate
- Adjustable and manipulable by one person from the platform
- Guardrail internal size – roof working area size: 1500 x from 1000 to 1950 mm
- The guardrail is sliding sideways on a stroke of 700mm

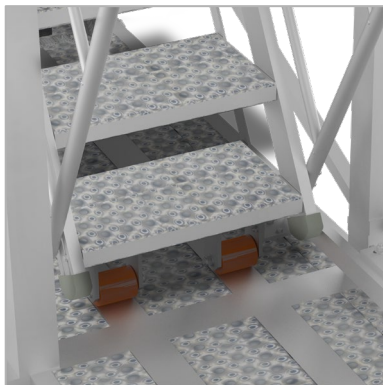


Lower part of the guardrail,
adjustable in height to fit closer to
the vehicle



System allowing the
deployable guardrail to slide
sideways

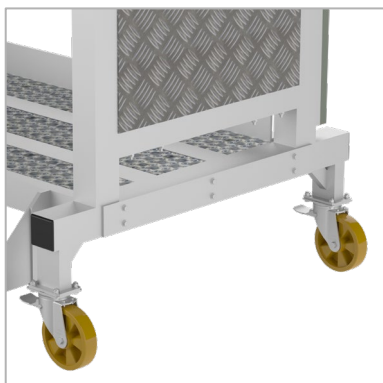
Mobile platform for sweepers roof access



Access staircase with variable angle



Height adjustable system by hydraulic jacks driven by an electric pump



6 swivel wheels with brakes $\varnothing 200$ mm and polyurethane tyres



Rubber protection on vehicle side