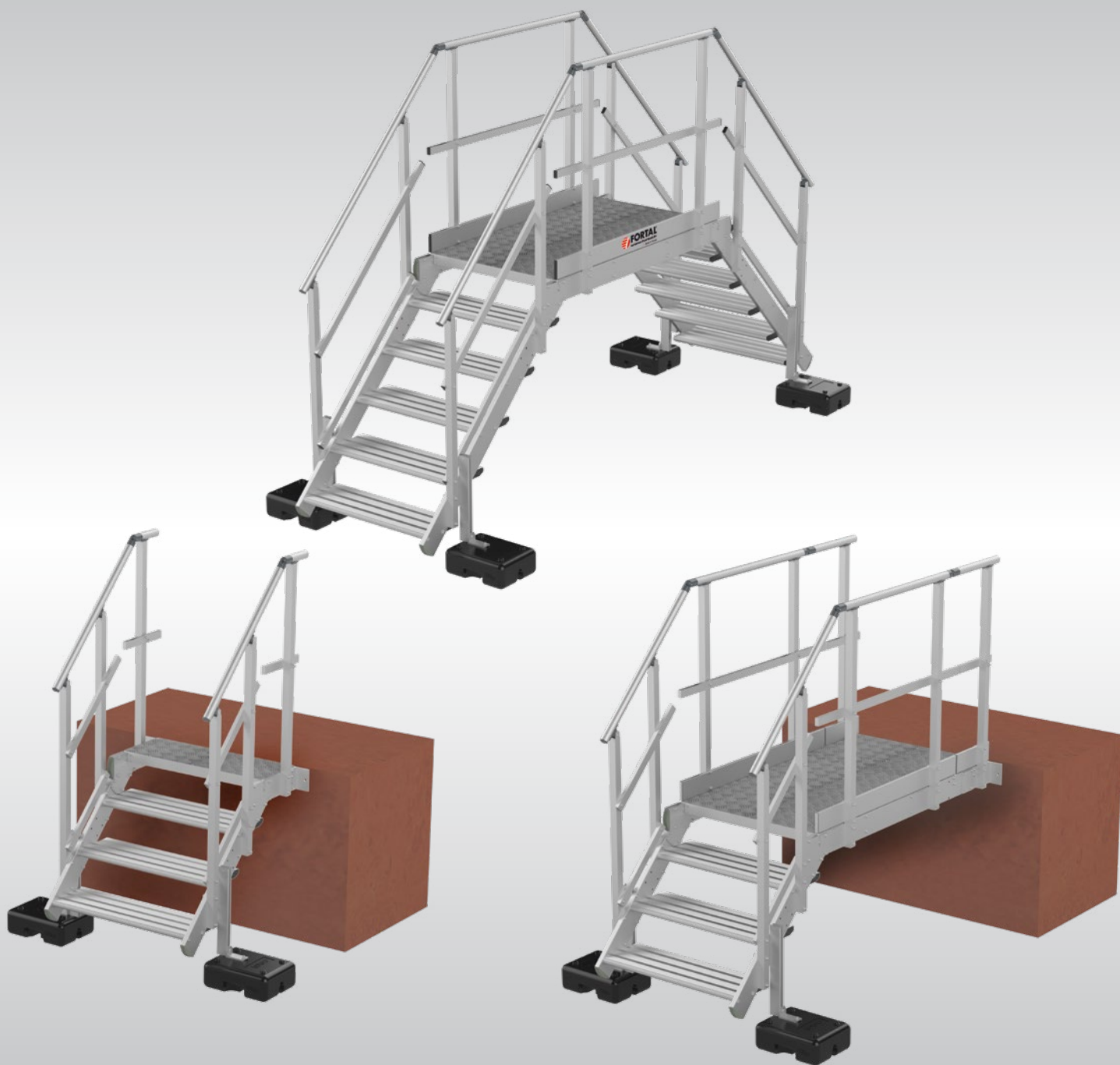


NMT 112  
V01  
06/2026

Ref. F80760\*

# ALUMINIUM CROSSOVER PLATFORM **EDALU 60 EVO**

## Assembly and technical instructions



## 1. GENERAL

EDALU 60 EVO is a modular double-access aluminium crossover platform designed for crossing fire walls, expansion joints, pipework, ventilation ducts, low walls, or any low-height obstacle in a technical environment. It can accommodate equal or unequal level heights and may be configured either as a straight staircase or as a staircase with landing. Feet can be fixed to the floor or mounted on concrete blocks (optional).

### General specifications:

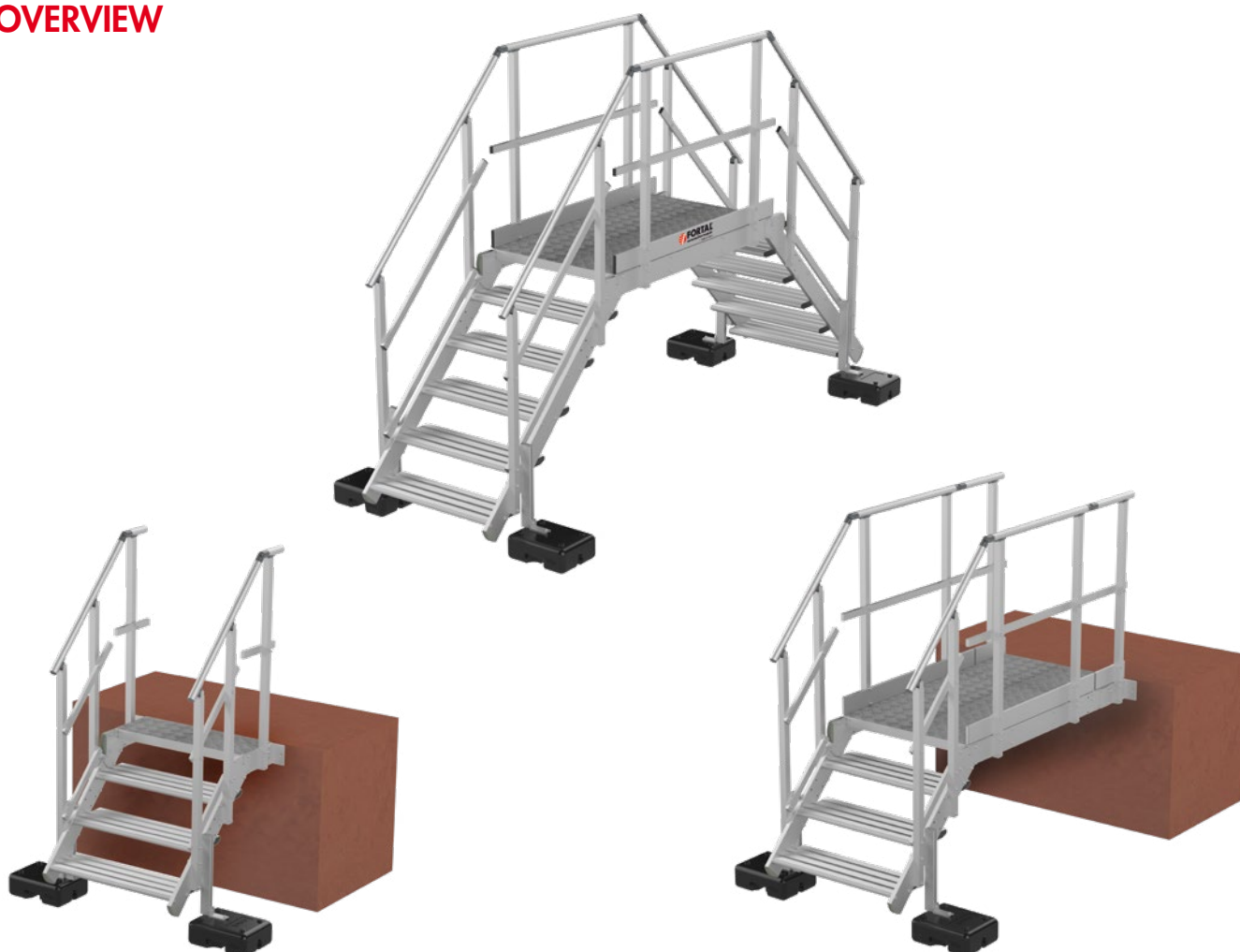
- Inclination: 60°
- 85 x 25 mm profiles
- Ribbed aluminium treads, depth 185 mm, width 700 mm - tread rise 250 mm
- Chequer plate platform decking
- Ø 50 mm handrails and guardrails, Ø 35 mm cross-rails
- 100 mm platform toe board

## 2. REGULATIONS

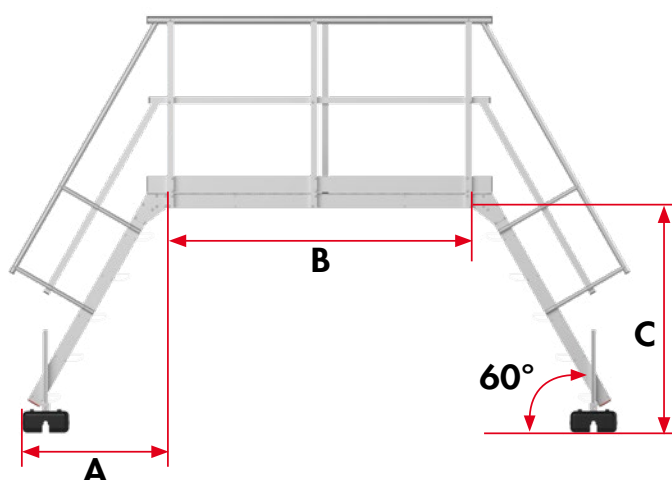
Complies with NF E 85-013/014/015 and NF EN ISO 14122-1/2/3 standards.

Safe working load: 250 kg

## 3. OVERVIEW



## 4. RANGE AND TECHNICAL SPECIFICATIONS



### Staircases 1

Reference	Steps number	A (mm) Footprint	C (mm) - Height under platform*	Weight (kg)**
F807601003	3	690	From 535 to 785	13.70
F807601004	4	690	From 785 to 1035	16.10
F807601005	5	835	From 1035 to 1285	20.00
F807601006	6	979	From 1285 to 1535	22.95
F807601007	7	1123	From 1535 to 1785	25.92

\*Height on platform = Height under platform + 90 mm - \*\*Weight excluding concrete blocks (25 kg per block)

### Platforms 2

Reference	Length (mm)	B (mm) Space under platform	Weight (kg)
F807602005	945	700	24.80
F807602010	1545	1300	34.30
F807602015	2145	1900	47.90

### Wall-Mounting Kits

Reference	Description	Nr.	Platform length (mm)	Weight (kg)
F807602050	Kit for straight staircase	3	235	8.85
F807602055	Kit for staircase with platform	4	-	0.72

### Option 5

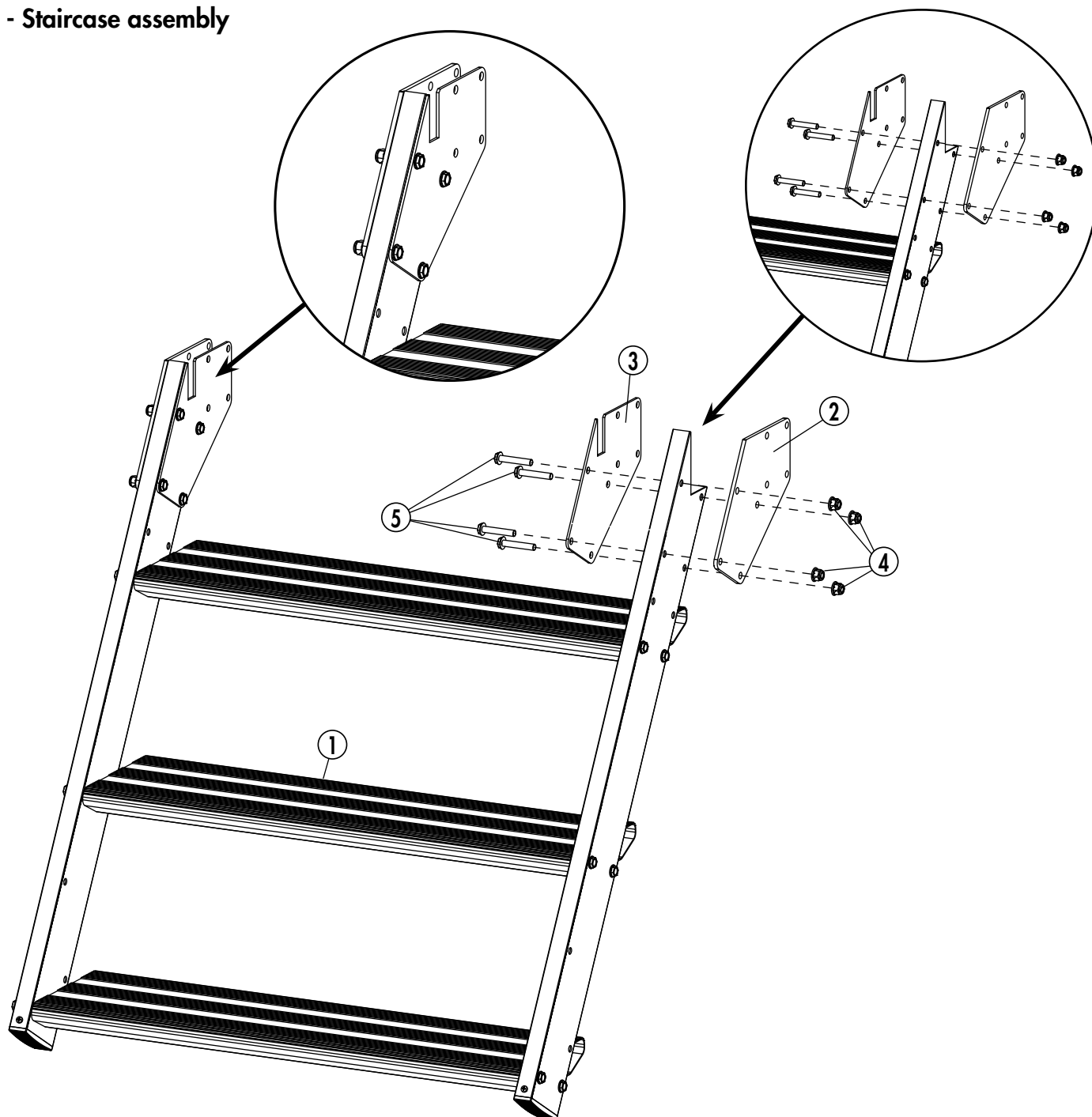
Reference	Description	Weight (kg)
GCLC13	Concrete block encapsulated in PVC, per unit	25.00

## 5. ASSEMBLY INSTRUCTIONS - DOUBLE ACCESS CONFIGURATION



Assembly by 2 people is recommended

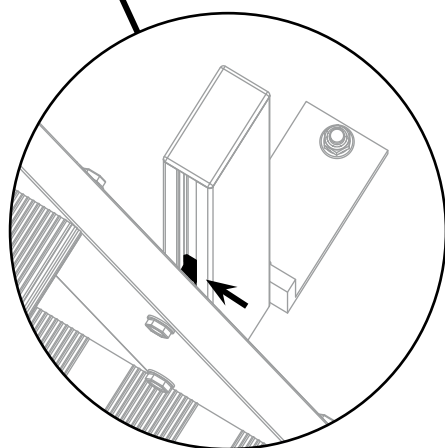
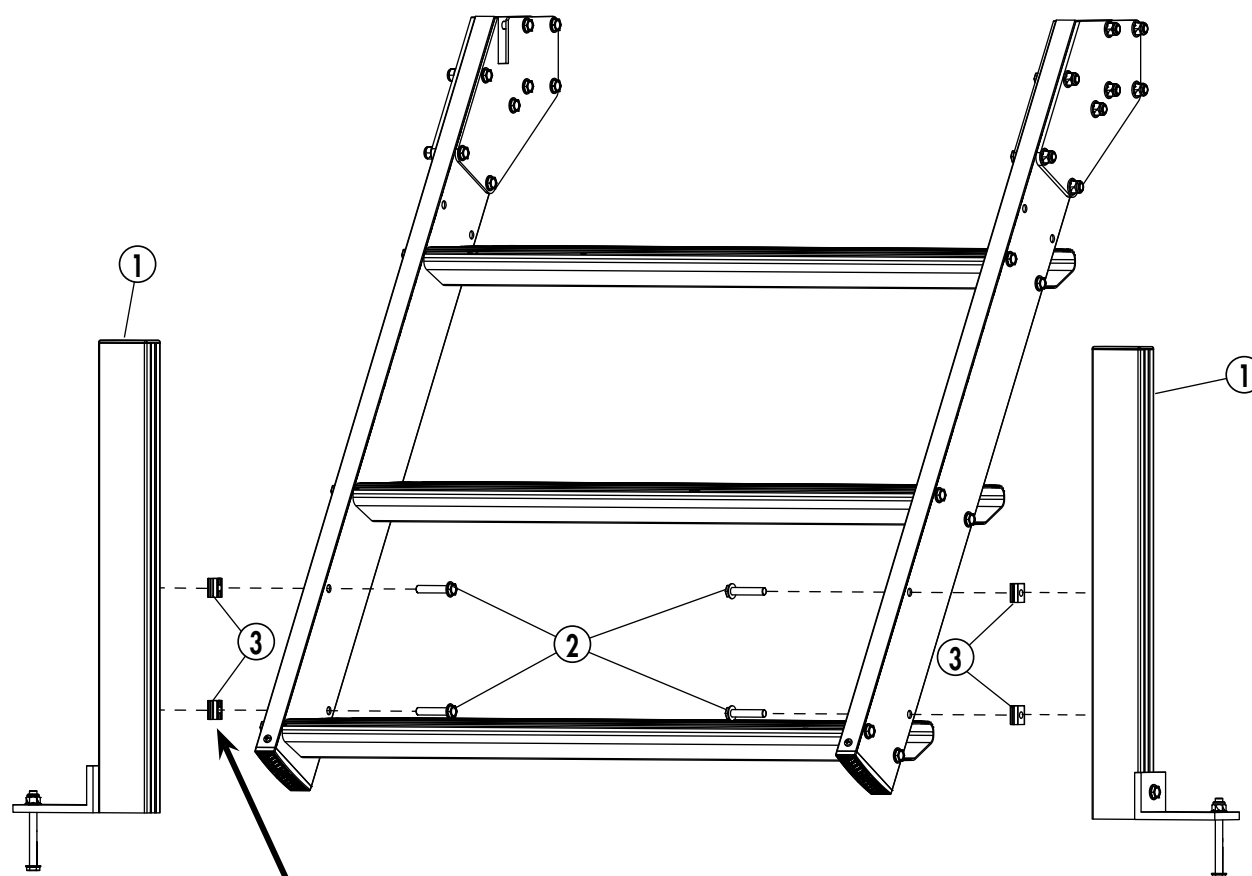
### 5.1 - Staircase assembly



#### Nomenclature

Reference	Description	Nr.	Qty
	Staircase	1	1
A700120131	External connection plate	2	2
A700120132	Internal connection plate	3	2
A710940108	M8 flange lock nut (K)	4	8
A714110045	H Zn M8 x 45 serrated flange screw	5	8

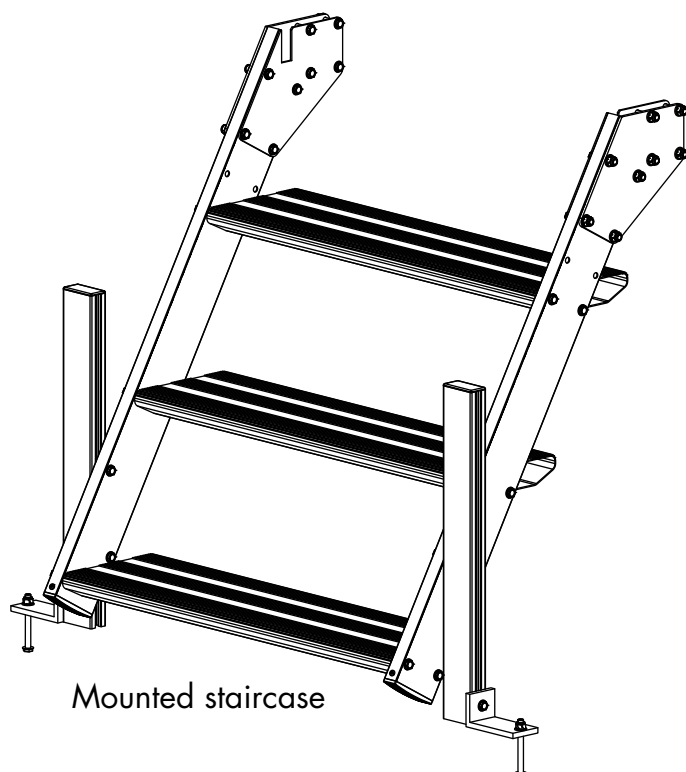
## 5.2 - Adjustable feet installation



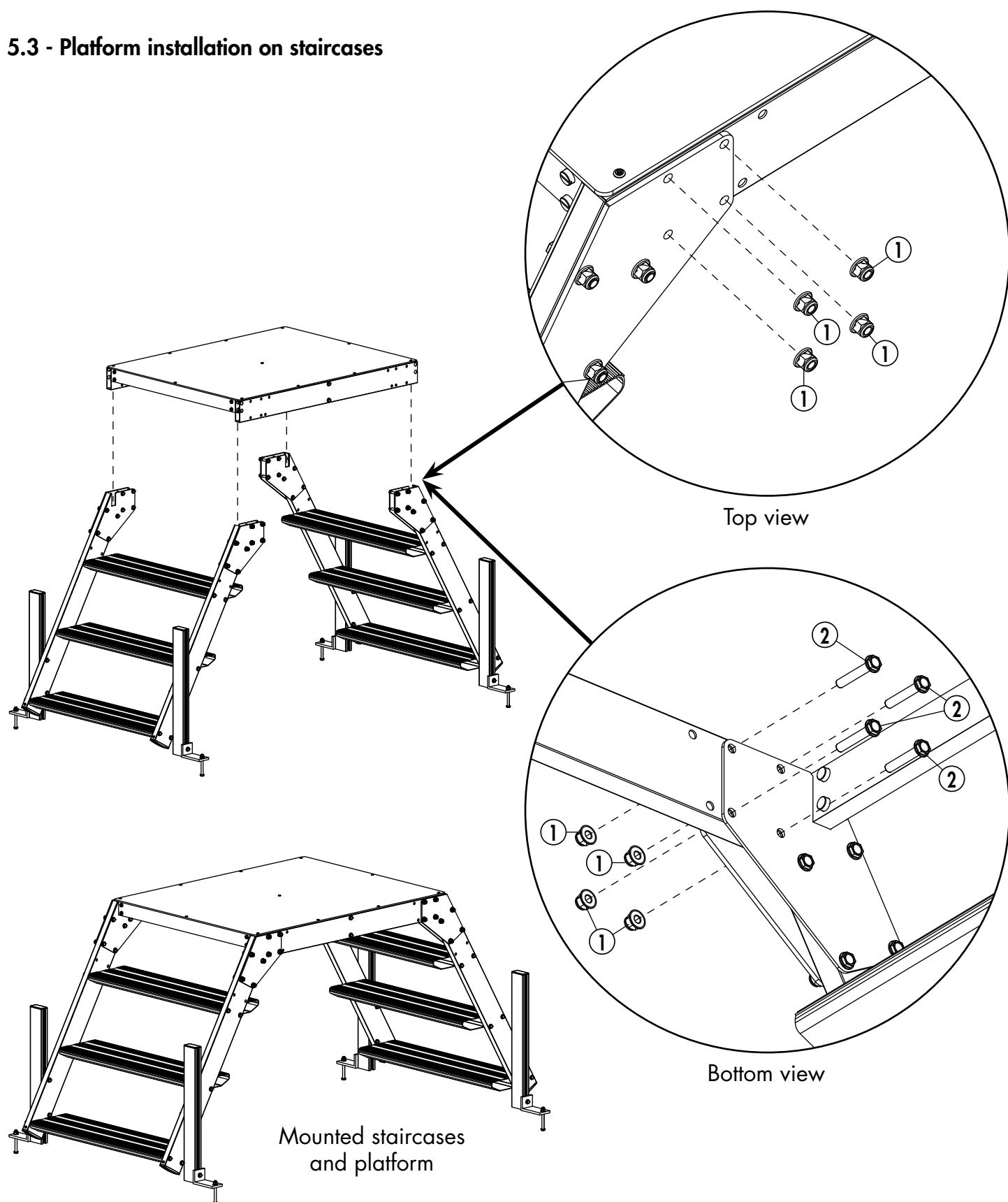
Location of the serrated flange screw inside the foot

### Nomenclature

Reference	Description	Nr.	Qty
R672040005	Adjustable foot	1	2
A714110040	H Zn M8 x 40 serrated flange screw	2	4
A711520008	R10B M8 zinc-plated steel channel nut	3	4



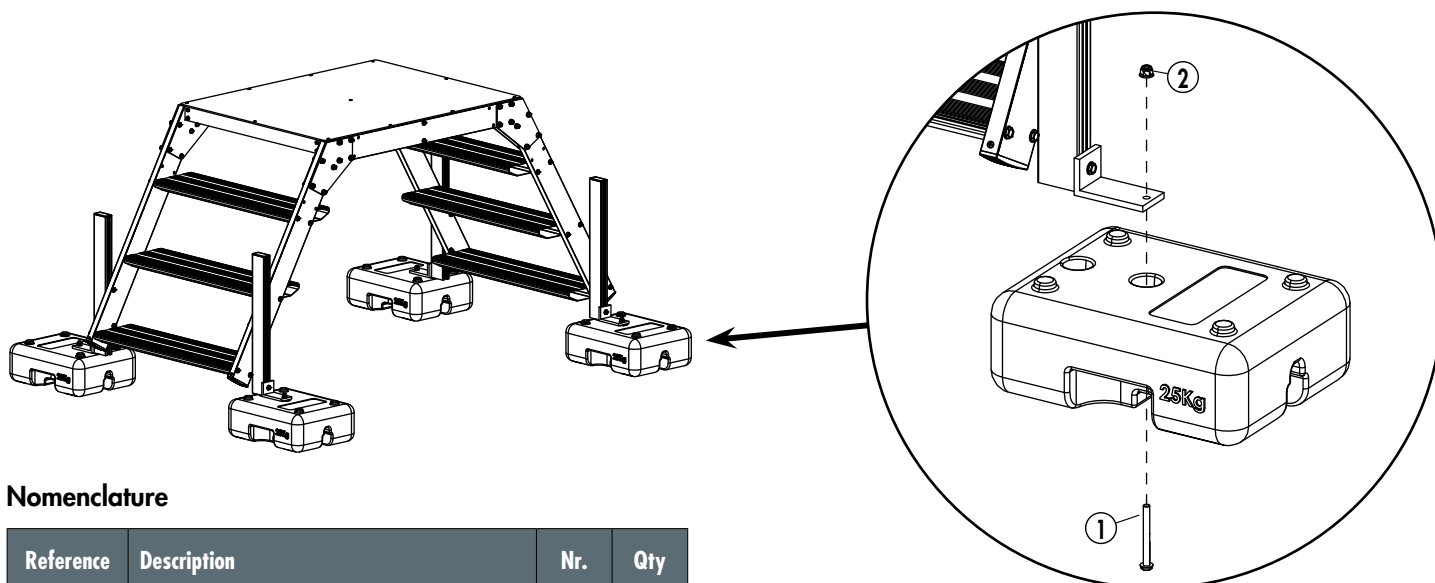
### 5.3 - Platform installation on staircases



#### Nomenclature

Reference	Description	Nr.	Qty
A710940108	M8 flange lock nut (K)	1	16
A714110045	H Zn M8 x 45 serrated flange screw	2	16

### 5.4 - Installation of concrete blocks on adjustable Feet (if concrete block option supplied)

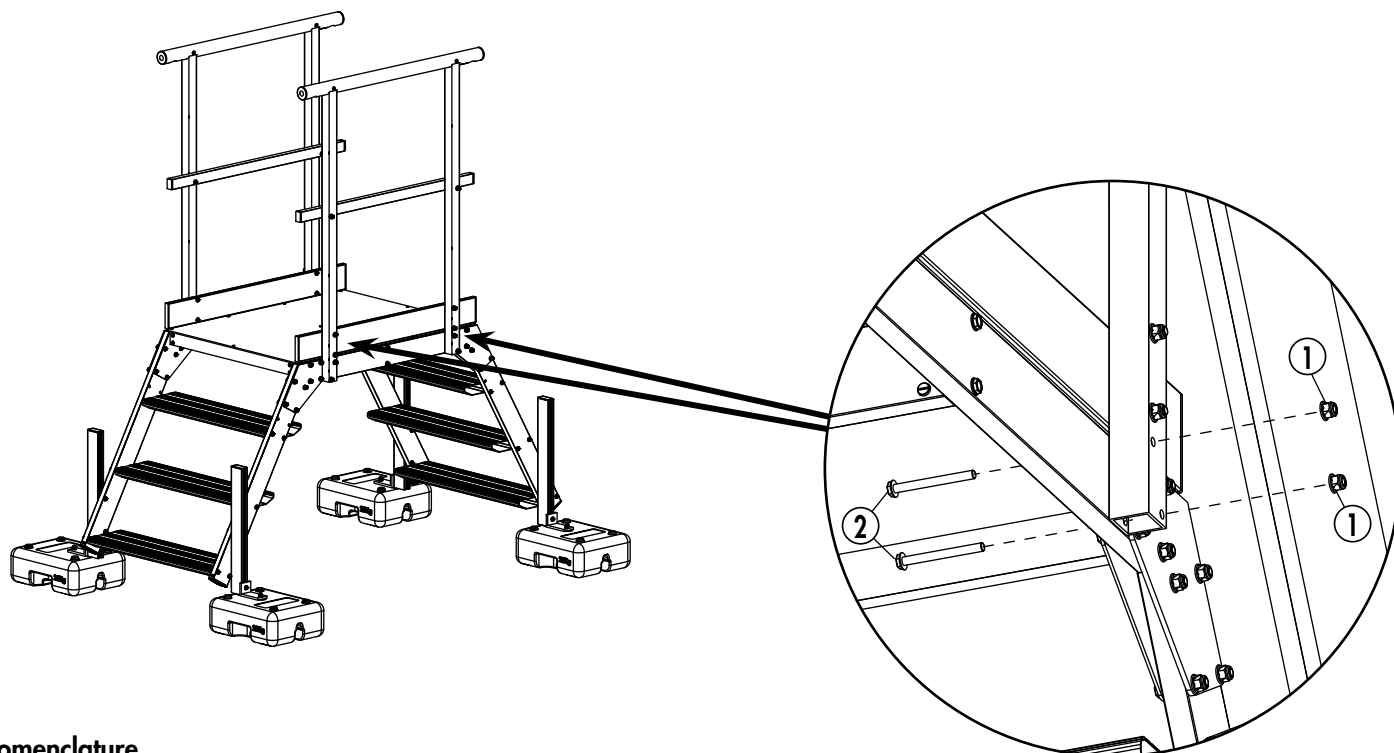


#### Nomenclature

Reference	Description	Nr.	Qty
A714110075	H Zn M8 x 75 serrated flange screw	1	4
A710940108	M8 flange lock nut (K)	2	4

### 5.5 - Platform duardrail installation

Must be installed BEFORE the staircase handrails

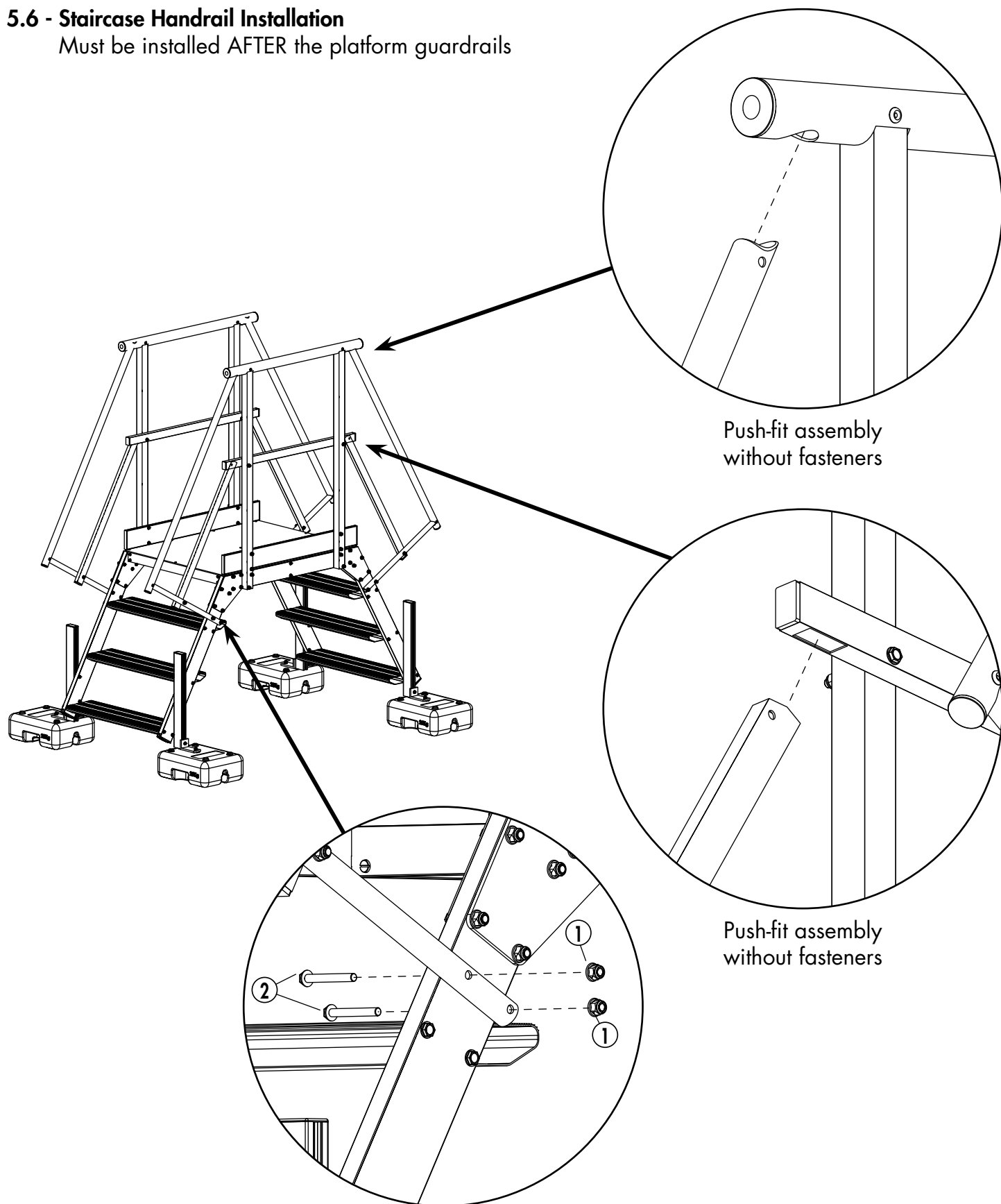


#### Nomenclature

Reference	Description	Nr.	Qty
A710940108	M8 flange lock nut (K)	1	8
A714110080	H Zn M8 x 80 serrated flange screw	2	8

## 5.6 - Staircase Handrail Installation

Must be installed AFTER the platform guardrails



Push-fit assembly without fasteners

Push-fit assembly without fasteners

### Nomenclature

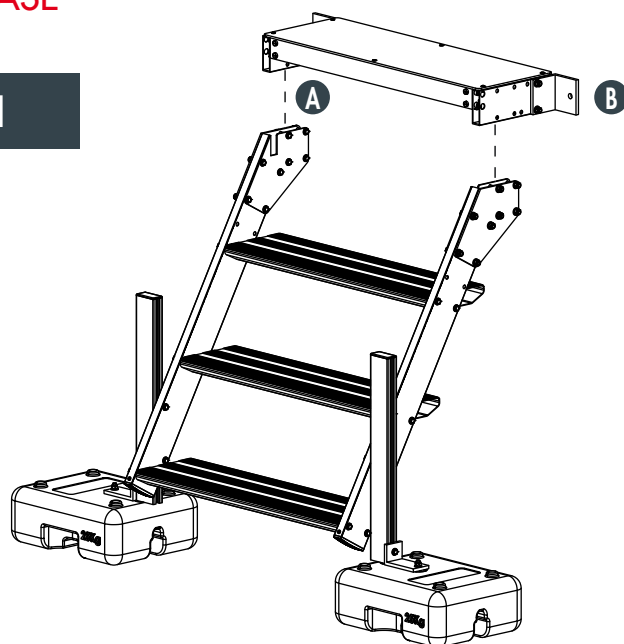
Reference	Description	Nr.	Qty
A710940108	M8 flange lock nut (K)	1	8 to 16 (depending on model)
A714110065	H Zn M8 x 65 serrated flange screw	2	8 to 16 (depending on model)

## 6. ASSEMBLY INSTRUCTIONS - SINGLE ACCESS CONFIGURATION WALL-MOUNTING KIT FOR STRAIGHT STAIRCASE

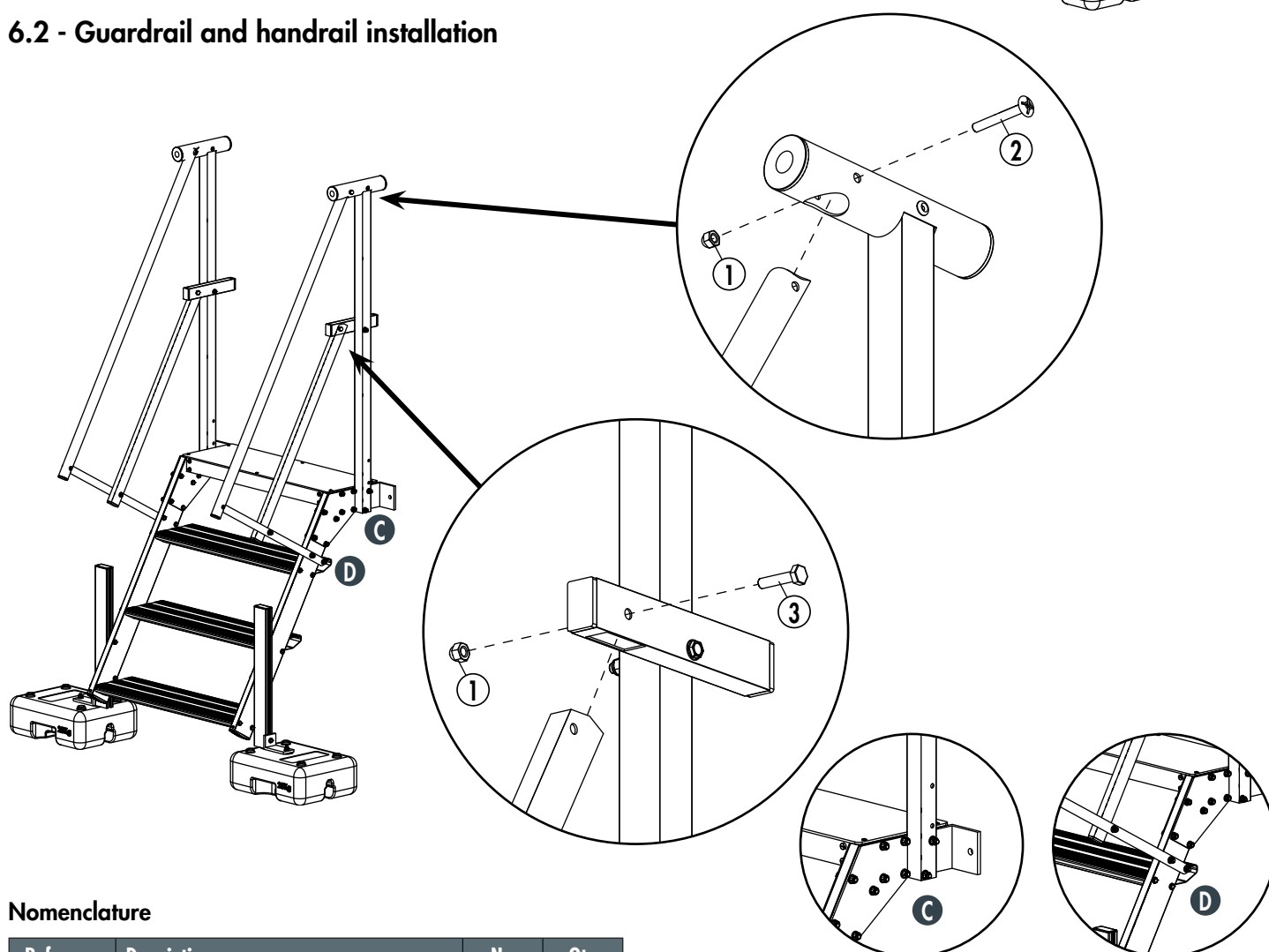
Assembly by 2 people is recommended

### 6.1 - Kit installation on staircase

- A** Assembly principle identical to page 6
- B** Secure the assembly to the wall (fixings not supplied) before installing the guardrails and handrails



### 6.2 - Guardrail and handrail installation



#### Nomenclature

Reference	Description	Nr.	Qty
A710540008	M8 zinc-plated cap nut (K)	1	4
A710420060	N coach bolt 8 x 60	2	2
A710130035	H Zn M8 x 35 screw	3	2

Guardrail  
installation:  
see page 7

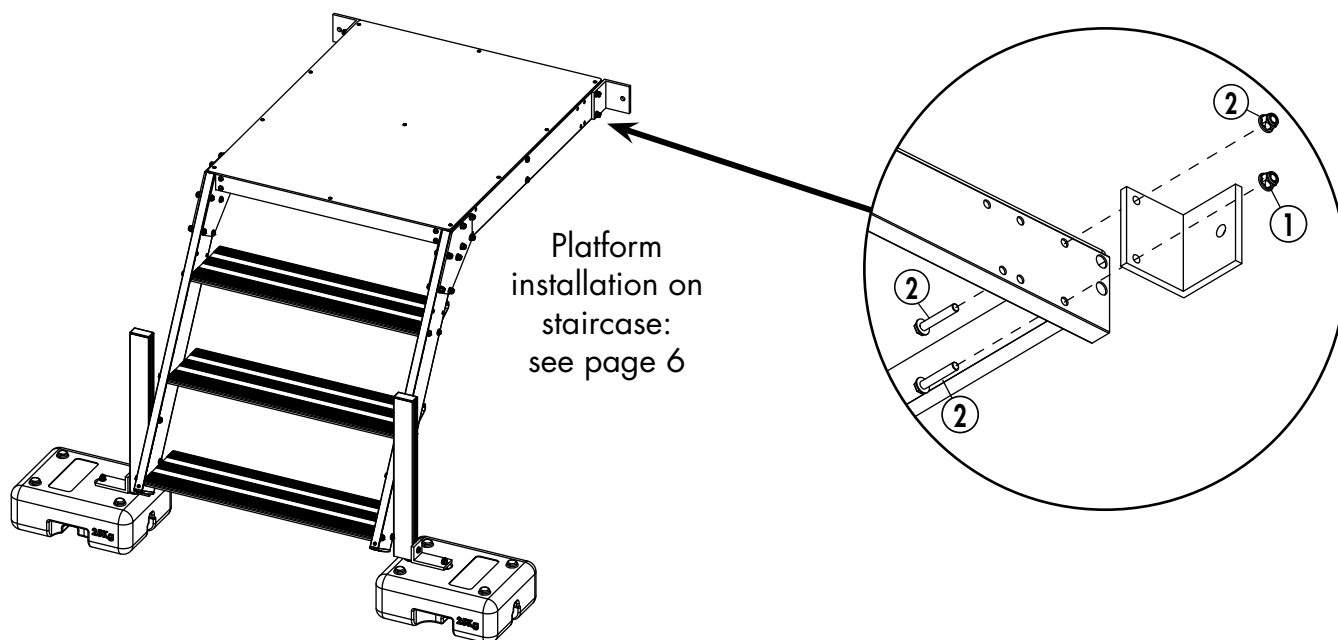
Handrail  
installation:  
see page 8

## 7. ASSEMBLY INSTRUCTIONS - SINGLE ACCESS CONFIGURATION WALL-MOUNTING KIT FOR STAIRCASE WITH LANDING

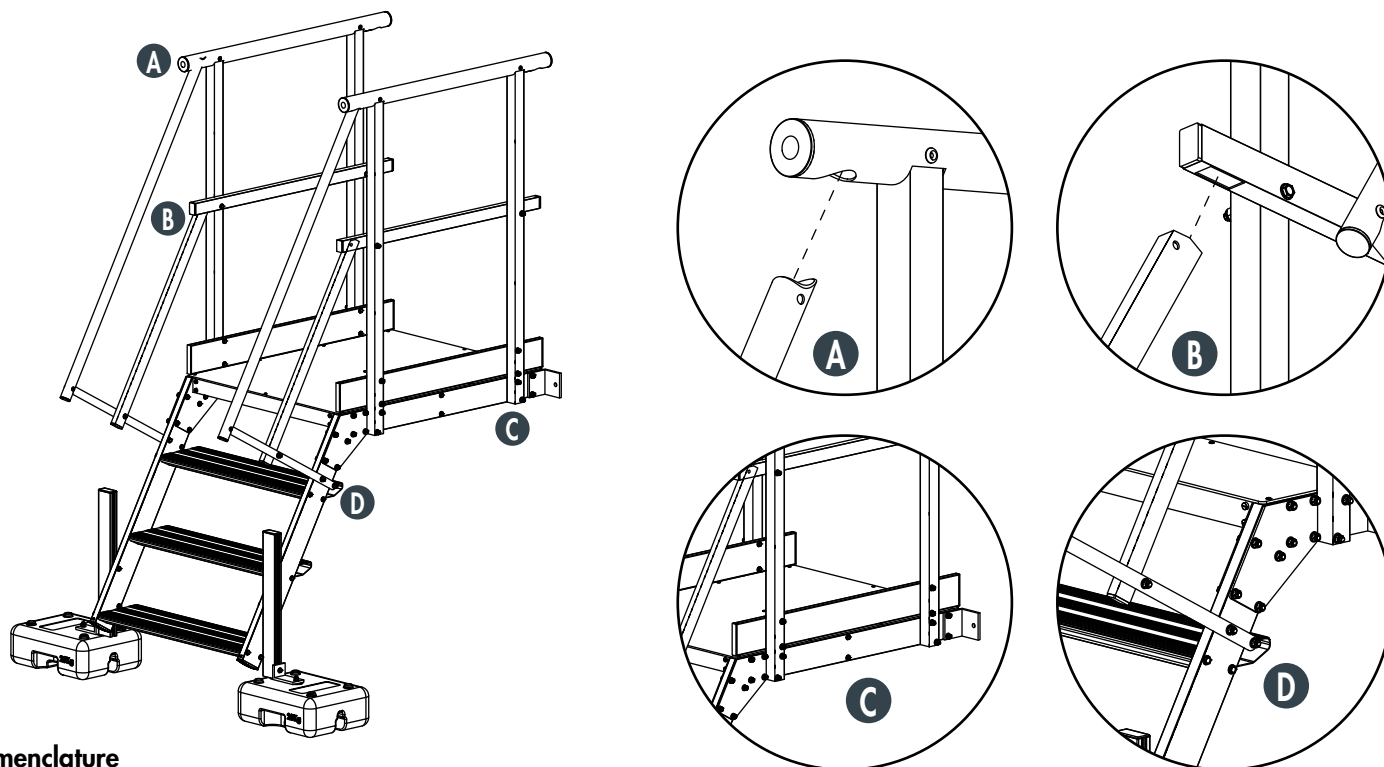


Assembly by 2 people is recommended

### 7.1 - Kit installation on staircase



### 7.2 - Guardrail and Handrail Installation: see pages 7 and 8



#### Nomenclature

Reference	Description	Nr.	Qty
A710940108	M8 flange lock nut (K)	1	4
A714110045	H Zn M8 x 45 serrated flange screw	2	4

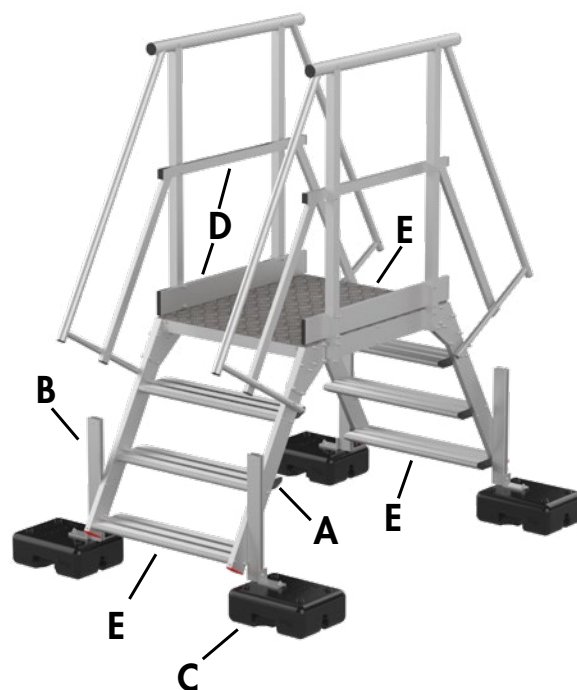


# EDALU 60 EVO INSPECTION RECORD

Date of inspection: ..... Equipment reference: ..... Date of purchase: .....

Inspector's name: ..... Manufacturer: ..... Identification number: .....

	CONFORME :	
	YES	NO
Visual inspection of overall condition and presence of all accessories	<input type="checkbox"/>	<input type="checkbox"/>
Verification that the platform has not been modified or drilled	<input type="checkbox"/>	<input type="checkbox"/>
Visual inspection for possible deformation of treads, stringers, guardrails and handrails	<input type="checkbox"/>	<input type="checkbox"/>
<b>A</b> Visual inspection of bolted assemblies (stringers – treads – guardrails – handrails)	<input type="checkbox"/>	<input type="checkbox"/>
<b>B</b> Visual inspection of wear or missing feet	<input type="checkbox"/>	<input type="checkbox"/>
<b>C</b> Visual inspection of wear or missing concrete blocks (optional)	<input type="checkbox"/>	<input type="checkbox"/>
<b>D</b> Presence of toe boards, guardrails and intermediate rails	<input type="checkbox"/>	<input type="checkbox"/>
<b>E</b> Condition of platform and staircases	<input type="checkbox"/>	<input type="checkbox"/>
Presence of safety labels	<input type="checkbox"/>	<input type="checkbox"/>
Other...	<input type="checkbox"/>	<input type="checkbox"/>



Conclusion :    Product fit for service     Product requiring repair   
                          Product to be withdrawn from service

Next inspection date:

Observations: